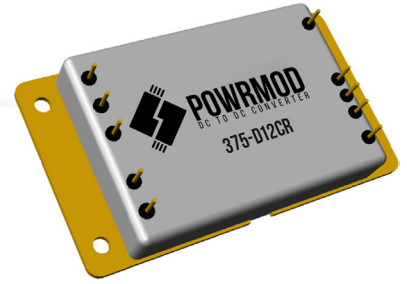




50 WATT WIDE INPUT DC-DC CONVERTERS FEATURE SINGLE AND DUAL OUTPUTS FOR 610VDC AND SIMILAR VETRONICS APPLICATIONS



375

MODEL: 375

INPUT RANGE : 425-850VDC

FEATURES/BENEFITS

- **Self-contained DC-DC Converter:** Fully Functional; Needs No Additional External Capacitors or Components
- **6 Sided Metal Case:** Shields Against Radiated Emissions and Susceptibility
- **Internal EMI Filter:** Limits Conducted Emissions
- **250kHz Current Mode Topology:** Fully Regulated Output With Low Ripple and Fast Transient Response Time
- **On-Off Control Function:** Connecting On-Off Input to VinRTN Inhibits Output
- **Short Circuit Limited:** Protected Against Output Overloads and Short Circuits
- **Fully Isolated:** Inputs to Outputs and Case 2000VDC, Outputs to Case 1000VDC
- **Transients Tolerant:** Works Through Any Voltage Excursion Within the Input Range
- **Compact, Encapsulated Construction:** Small Footprint with Long Life and Reliable Operation in Severe Operational Environments
- **Two Grades Available:** Economical, Effective Tailoring to Applications Requirements

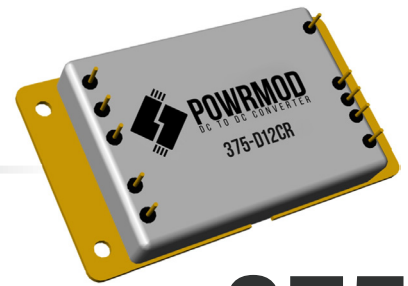
SINGLE OUTPUT

| PARAMETER | CONDITION | UNITS | OUTPUTS | | | | | | | |
|-------------|----------------------|-------------|---------|------|------|------|------|------|------|------|
| Vout | Setpoint +/- 2% | DC Volts | 5.0 | 5.2 | 10 | 12 | 15 | 24 | 28 | 48 |
| Iout | Vin min-max | Amperes | 10 | 9.50 | 5.00 | 4.20 | 3.30 | 2.00 | 1.75 | 1.00 |
| Efficiency | Rated Load | Percent Min | 72 | 72 | 76 | 76 | 78 | 79 | 79 | 82 |
| Line Reg | Vin min-max | mV max | 30 | 30 | 30 | 50 | 50 | 50 | 75 | 75 |
| Load Reg | 10% to Rated Load | mV max | 50 | 50 | 50 | 75 | 75 | 120 | 120 | 150 |
| Vout Ripple | Rated Load, 20MHz BW | mVpp max | 50 | 50 | 75 | 100 | 100 | 150 | 150 | 150 |

DUAL OUTPUTS

| PARAMETER | CONDITION | UNITS | OUTPUTS | | | |
|-------------|----------------------|-------------|---------|--------|--------|--------|
| Vout | Setpoint +/- 2% | DC Volts | +/-5 | +/-12 | +/-15 | 3.3/5 |
| Iout | Vin min-max | Amperes | +/-5 | +/-2.1 | +/-1.6 | 10/3.5 |
| Efficiency | Rated Load | Percent Min | 74 | 78 | 78 | 72 |
| Line Reg | Vin min-max | mV max | 40 | 50 | 75 | 40 |
| Load Reg | 10% to Rated Load | mV max | 50 | 120 | 150 | 50 |
| Vout Ripple | Rated Load, 20MHz BW | mVpp max | 100 | 150 | 220 | 100 |

425-850VDC INPUT DC-DC CONVERTERS



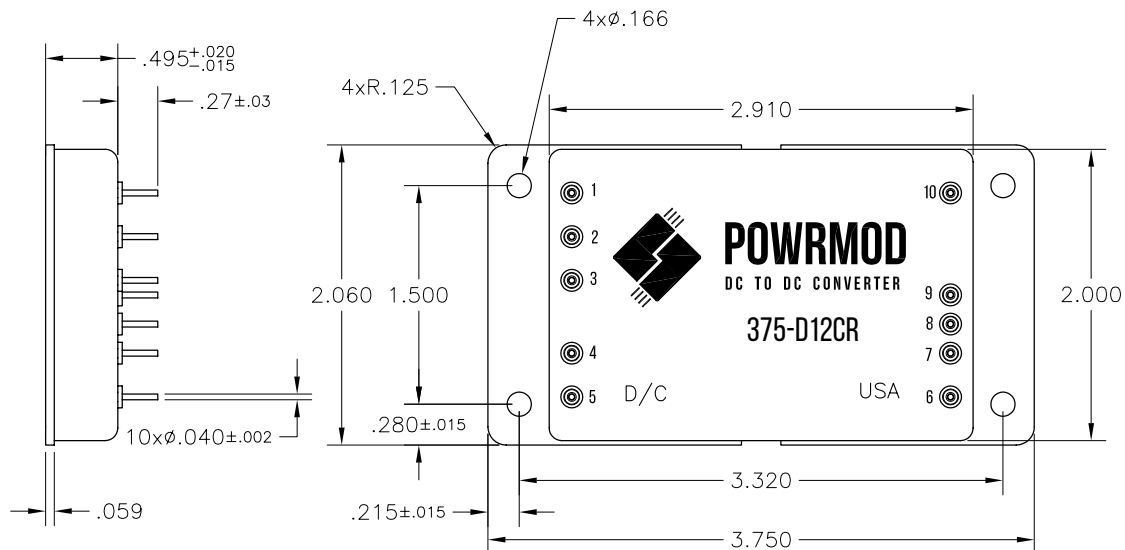
375

MODEL: 375

INPUT RANGE : 425-850VDC

MECHANICAL SPECIFICATIONS

| | |
|--------------|--|
| Size | 3.75 L x 2.00 W x .495 H inch |
| Enclosure | Full metal, CRS |
| Construction | Encapsulated sealed |
| Pins | .040 alloy |
| Weight | 125g typical |
| Mounting | Chassis (CH) mount, any orientation provided baseplate is heatsunk |



PIN FUNCTIONS

| | 1 | 2 | 3 | 4 | 5 | 6 | 7 | 8 | 9 | 10 |
|-----------------------------|----------------|----|---------|-------|----|----------|----------|--------------|--------|------|
| Function for Single Outputs | On-Off Control | NC | Vin Rtn | Vin + | NC | Vout Rtn | Vout Rtn | + Vout | + Vout | Case |
| Function for Dual Outputs | On-Off Control | NC | Vin Rtn | Vin + | NC | NC | - Vout | Vout Cmn Rtn | + Vout | Case |

DATA 25°C BASEPLATE PRODUCTS AND SPECIFICATIONS ARE SUBJECT TO CHANGE WITHOUT NOTICE.

PART NUMBERING CONSTRUCTION KEY

| MODEL | OUTPUT TYPE & VOLTAGE | ENCLOSURE | GRADE |
|-------|---|--------------------------------|--|
| 375 | SINGLE S5.0 S24 S5.2 S28 S10 S48 S12 S15 DUAL D5 D12 D15 D3.3/5 | MOUNTING C = CHASSIS | GRADE LEVEL C = COMMERCIAL R = RUGGED |

EXAMPLE: 375-D12CR